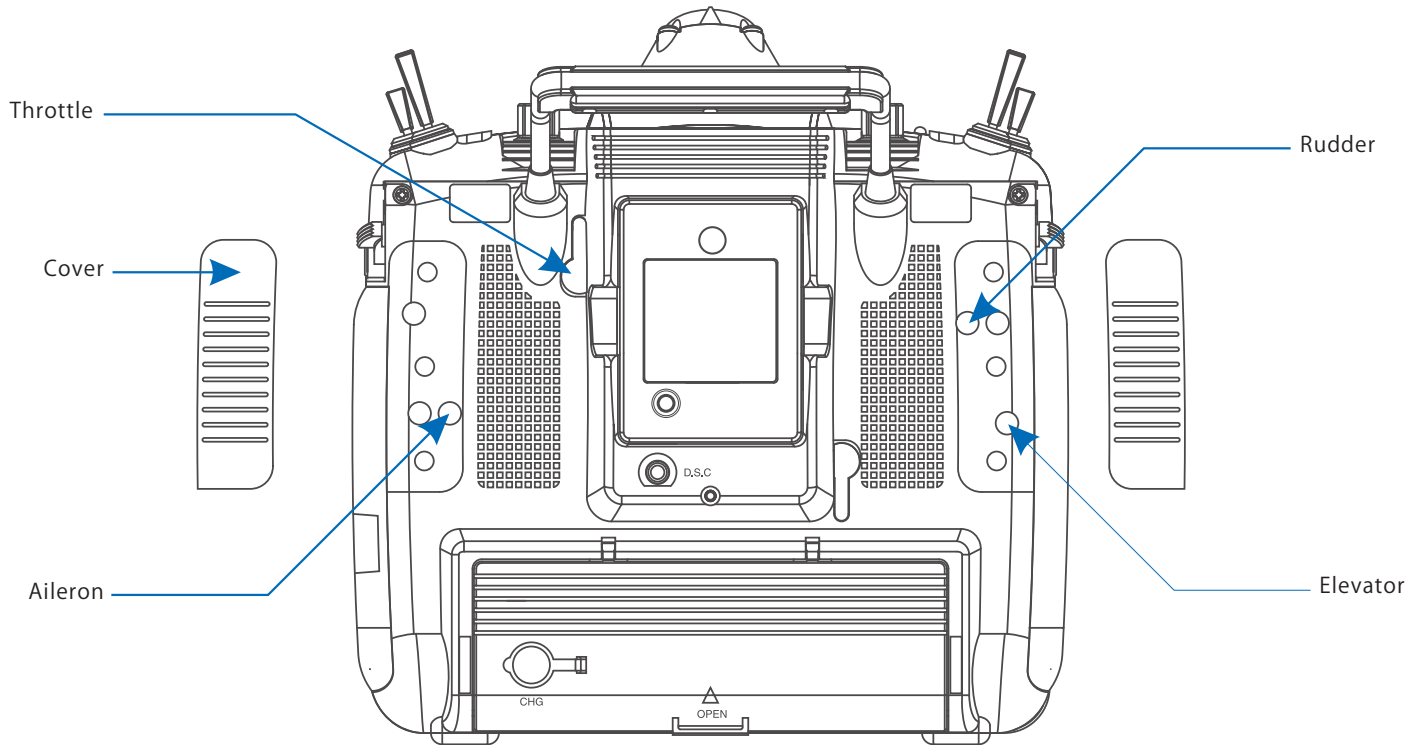


DSX12 Stick Tension Adjustment Screws

Stick tension adjustment screws are accessed via the covers located on the back of the transmitters. Below outlines which screws adjust which controls for Mode 1 and Mode 2.

Mode 1



Mode 2

